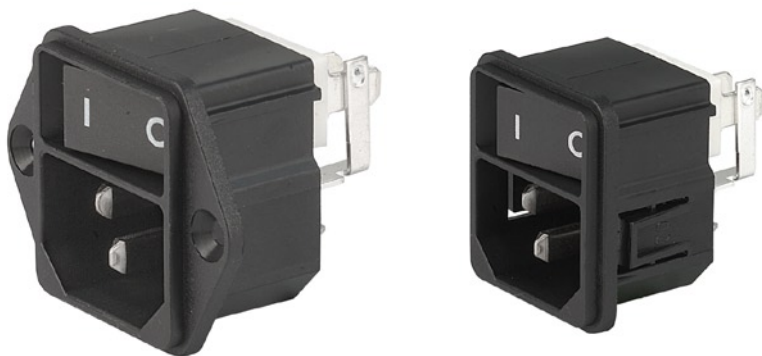


IEC Appliance Connector C14 with Line Switch 1-pole



C14

 70° C

**Description**

- Panel Mount:
Screw-on version from front or rear side, snap-in version from front side
- 2 Functions:
Inlet Protection class I, Line switch 1-pole
- Quick connect terminals 4.8 x 0.8 mm
- Alternative: version with line filter [KFB1](#)
- We recommend for new applications the new type [DC11](#)

Approvals

- VDE License Number: 40021941
- UL License Number: E96454
- CSA License Number: 38456

Characteristics

- All single elements are already wired
Unwired versions available on request
- Line switch non-illuminated or illuminated

Other versions on request

- Unwired versions
- Line switch with other rocker marking
- For protection class II

Weblinks

[Approvals](#), [RoHS](#), [CHINA-RoHS](#), [e-Store](#), [SCHURTER-Stock-Check](#), [Distributor-Stock-Check](#)

Technical Data

Ratings IEC	10A / 250VAC; 50Hz
Ratings UL/CSA	10A / 250VAC; 60Hz
Dielectric Strength	> 3 kVAC between L-N > 4 kVAC between L/N-PE (1 min/50Hz)
Allowable Operation Temp.	-25°C to 70°C
Degree of Protection	from front side IP 40 acc. to IEC 60529
Protection Class	Suitable for appliances with protection class I acc. to IEC 61140
Terminal	Quick connect terminals 4.8 x 0.8 mm
Panel Thickness s	Screw-on: max 6 mm Mounting screw torque max 0.5Nm Snap-in: 1.5/2/2.5 mm
Material: Housing	Thermoplastic, black, UL 94V-0

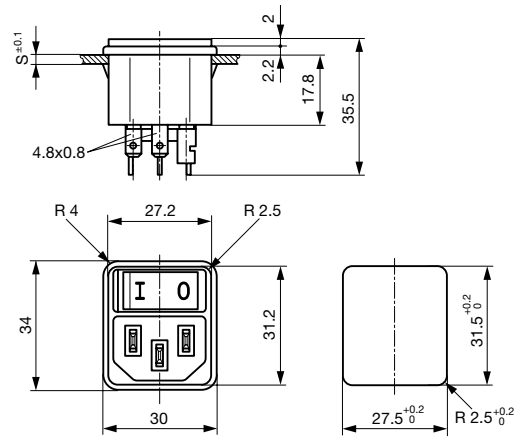
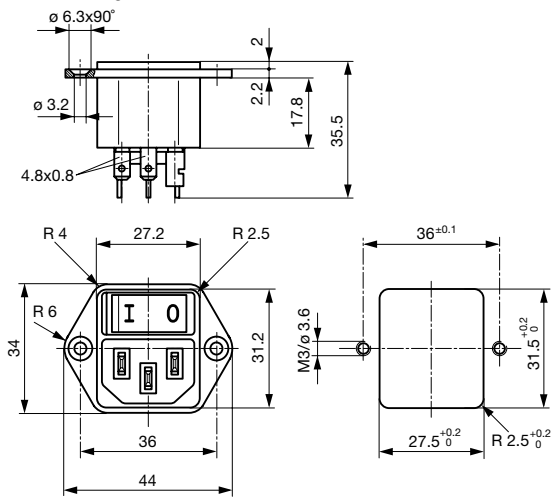
Appliance-Inlet/-Outlet	C14 acc. to IEC/EN 60320-1, UL 498, CSA C22.2 no. 42 (for cold conditions) pin-temperature 70 °C, 10A, Protection class I
Line Switch	Rocker switch 1 pole, non-illuminated or illuminated red, acc. to IEC 61058-1 Technical details

Dimensions

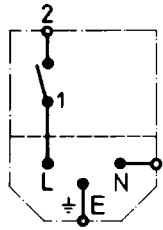
Screw-on mounting

Length |-----| 44 mm

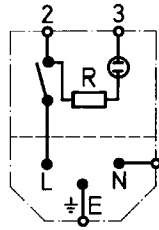
Snap-in mounting



Diagrams



non-illuminated



illuminated

Variants

[Distributor-Stock-Check](#) | [SCHURTER-Stock-Check](#) | [e-Store](#)

with internal connections

Panel mounting	Panel Thickness s [mm]	Illumination	Color	Rated voltage 250 [V]	Rated voltage 125 [V]	Order Number
Snap-in	1.5	-	-	-	-	4302.0002
Snap-in	2	-	-	-	-	4302.0003
Snap-in	2.5	-	-	-	-	4302.0004
Snap-in	1.5	●	red	-	125	4302.0122
Snap-in	1.5	●	red	250	-	4302.0102
Snap-in	2	●	red	-	125	4302.0123
Snap-in	2	●	red	250	-	4302.0103
Snap-in	2.5	●	red	-	125	4302.0124
Snap-in	2.5	●	red	250	-	4302.0104
Screw-on	-	-	-	-	-	4302.0001
Screw-on	-	●	red	-	125	4302.0121
Screw-on	-	●	red	250	-	4302.0101

Packaging unit

50 Pcs

Accessory

Description



Assorted Covers
Rear Cover

	0859.0047
	0859.0075
	4311.9403
	4311.9404



Cord retaining kits
Cord retaining strain relieve

Flat head, A	4700.0001
Countersunk, B	4700.0002